



ProClip Large Universal Tablet Holder with Spring Lock

Part #541855

\$139.99

This universal adjustable ProClip Tablet cradle is designed to fit most 7-10 inch tablets without a case. The cradle is designed with the intention to leave as much space open to be able to access the charging port and buttons on your tablet. Once the cradle is adjusted for the right size it will allow you to easily insert and remove the device with our spring action corner. With this tablet cradle you can use your tablet in landscape or portrait view, and easily rotate between the two positions. You can also angle/tilt the tablet 15 degrees for better viewing and to avoid glare.

Features

- Works for tablets without case
- Includes spring lock for secure hold and convenient removal of the device
- Includes Tilt-Swivel to allow rotation and tilting

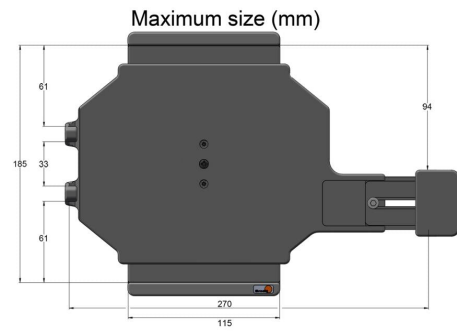
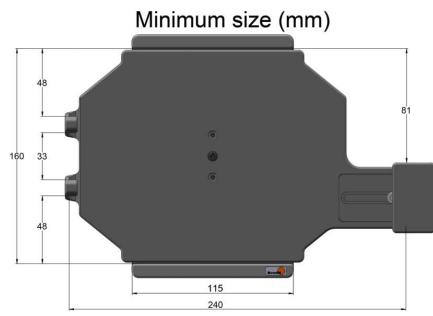
Specifications

Sizing Specs:

- Height adjustment 240-270 mm (9.45 to 10.63 in)
- Width adjustment 160-185 mm (6.30 to 7.28 in)

Compatibility

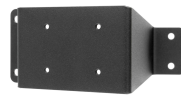
Image Gallery



Mounting Options



Pedestal Mounts



Custom Vehicle Mounts



Forklift Mounts