



Small Spring Loaded Adjustable Tablet Holder - Thick Devices

Part #511971

\$109.99

This adjustable cradle is designed to fit most 7-10 inch tablets and with or without a case. The cradle is designed with the intention to leave as much space open to be able to access the charging port, headphone plug and buttons on your tablet.

Once the cradle is adjusted for the right size it will allow you to easily insert and remove the device with a spring that secures the tablet against the padded top and bottom of the cradle.

The included Tilt-Swivel allows the viewing angle to be adjusted up to 15 degrees to ensure the best possible viewing angle.

Features

- Works with or without case, device can be 1 1/8 Inch Thick (30mm)
- Height adjustment 4 5/8 -5 7/8 inches (120-150 mm)
- Top and bottom arms have padded cushions for added friction to ensure a secure fit
- Rotate between portrait and landscape view

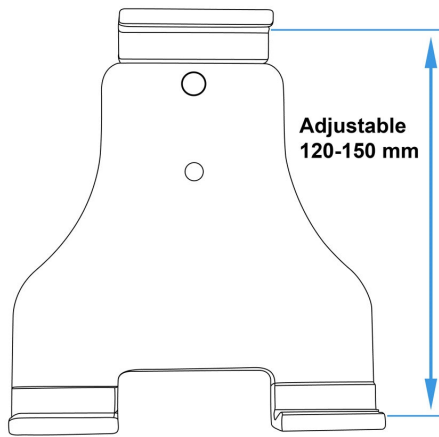
Specifications

Sizing Specs:

- Height adjustment 4 5/8 -5 7/8 inches (120-150 mm)

Compatibility

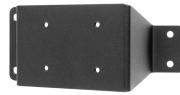
Image Gallery



Mounting Options



Pedestal Mounts



Custom Vehicle Mounts



Forklift Mounts